

LGMG

A14JE-Li

ARTICULATING BOOM LIFT

Li-Ion

- The A14JE-Li is lithium battery powered and maintenance free with triple the lifespan of a traditional battery.
- Quick-charge technology, long battery life, full power. BMS system can protect and monitor lithium batteries in real time.
- The A14JE-Li can be used from -30°C to 60°C , able to adapt to high and low temperatures.
- Accurate and efficient AC drive system with strong power and stable control.
- Intelligent self-diagnosis system for quick troubleshooting and cost saving.



LGMG Electric - Articulating Boom Lift

SPECIFICATIONS

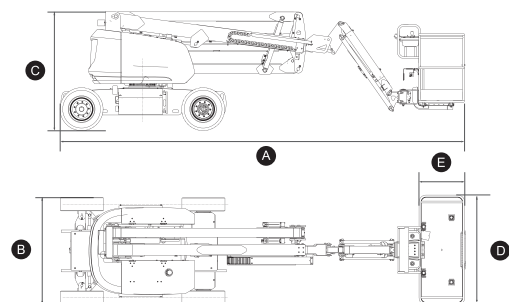
Models	A14JE-Li (A45JE-Li)	
Measurements	Metric	US
Working Height	15.8m	51'10"
Platform Height(Raised)	13.8m	45'3"
Horizontal Outreach	7.81m	25'7"
Up and Over Height	7.26m	23'10"
Ⓐ Stowed Length	6.66m	21'10"
Ⓑ Stowed Width	1.8m	5'11"
Ⓒ Stowed Height	1.98m	6'6"
Ⓓ Platform Size Length	1.83m	6'
Ⓔ Platform Size Width	0.76m	2'6"
Wheelbase	2.03m	6'8"
Ground Clearance	0.24m	9"
Productivity		
Max. Platform Occupancy	2	
Platform Capacity	230kg	510 lbs
Turning Radius-Inside	1.83m	6'
Turning Radius-Outside	4.1m	13'5"
Turntable Rotation	355°	
Turntable Tailswing	0	
Max. Drive Speed (Stowed)	4.8km/h	3mph
Max. Drive Speed (Raised)	1km/h	0.62mph
Gradeability -Stowed	30%	
Tire Type	Foam-filled non-marking	
Tire Size	719x246mm	28"x10"
Power		
Power Source	48V 280Ah	
Hydraulic Oil Capacity	30L	7.9gal
Machine Weight (CE/ANSI)	7500kg	16535 lbs

STANDARD FEATURES

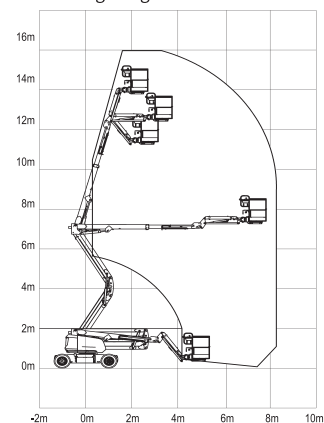
Anti-collision device	On-board diagnostic system
Horn/Hour meter	Over tilt protection system
Full-height drive	Tilt alarm with lift cut-out
Platform tool box	Overload sensing system
Proportional control	Platform auto-leveling system
Emergency stop button	Descent alarm with flashing beacon

OPTIONAL

AC power to platform	Solid non-marking tires
Telematics	



Working Range



Please contact LGMG or a local dealer for more details.

LGMG reserves the right to change technical data without prior notice. All photos and pictures in this brochure are for promotional purposes only. This brochure comes into effect in February, 2023.

LINGONG HEAVY MACHINERY CO., LTD.

Address: No. 2676, Kejia Road, Jinan, Shandong, China
 Email: sales@lmgm.com.cn Tel: +86 531 6787 9283

LGMG Europe B.V.

Address: Donker Duyvisweg 301, 3316 BL Dordrecht, The Netherlands
 Email: sales@lmgmeurope.com Tel: +31 850 642 777

LGMG North America Inc.

Address: 1445 Sheffler Dr, Chambersburg, PA. 17201, USA
 Email: sales@lmgmna.com Tel: +1 833 288 5464

www.lmgmlifts.com



LGMG
 RELIABILITY IN ACTION