

# LGMG

## A14JE

### ARTICULATING BOOM LIFT

- Zero tail swing and compact design enable easy access to tight spaces.
- Proportional control ensures smooth driving, precise positioning and comfortable operation.
- Battery powered and sealed AC drive motor provide quiet and long battery duty cycle.
- Self-leveling platform together with hydraulic platform rotation deliver exceptional productivity.
- Intelligent self-diagnostic system for quick troubleshooting.



# LGMG Electric - Articulating Boom Lift

## SPECIFICATIONS

Models	A14JE ( A45JE )	
Measurements	Metric	US
Work Height Max.	15.8m	51'10"
Platform Height	13.8m	45'3"
Horizontal Outreach	7.81m	25'7"
Up and Over Height	7.26m	23'10"
Platform Length	1.83m	6'
Platform Width	0.76m	2'6"
Platform Capacity	230kg	510 lbs
<b>A</b> Stowed Length	6.66m	21'10"
<b>B</b> Overall Width	1.8m	5'11"
<b>C</b> Stowed Height	1.98m	6'6"
<b>D</b> Wheelbase	2.03m	6'8"
<b>E</b> Ground Clearance	0.24m	9"

### Productivity

Max. Platform Occupancy	2	
Turntable Rotation	355°	355°
Drive Speed-Stowed	4.8km/h	3mph
Drive Speed-Raised	1km/h	0.62mph
Gradeability	30%	30%
Turning Radius-Inside	1.83m	6'
Turning Radius-Outside	4.1m	13'5"
Tire Type	Foam-filled	
Tire Size	9-14.5	

### Power

Power Source	48V DC 390Ah	
--------------	--------------	--

### Hydraulic System

Hydraulic Oil Volume	30L	7.9gal
----------------------	-----	--------

### Weight

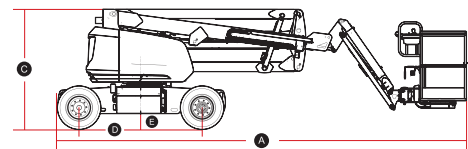
Machine Weight (CE/ANSI)	7500kg	16535 lbs
--------------------------	--------	-----------

### STANDARD FEATURES

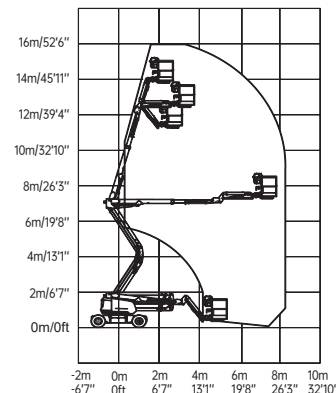
Proportional control	Descent alarm with flashing beacon
Tilt alarm with lift cut-out	Platform auto-leveling system
Emergency stop button	On-board diagnostic system
Anti-crush protection	Rear-wheel drive and break
Horn/Hour meter	Over tilt protection system
Full-height drive	Overload sensing system

### OPTIONAL

AC power to platform	Solid non-marking tires
Platform tool box	



A14JE Working Range



Please contact LGMG or a local dealer for more details.

LGMG reserves the right to change technical data without prior notice. All photos and pictures in this brochure are for promotional purposes only.

This brochure comes into effect in February, 2023.

### LINGONG HEAVY MACHINERY CO., LTD.

Address: No. 2676, Kejia Road, Jinan, Shandong, China

Email: sales@lmgm.com.cn Tel: +86 531 6787 9283

### LGMG Europe B.V.

Address: Donker Duyvisweg 301, 3316 BL Dordrecht, The Netherlands

Email: sales@lmgmeurope.com Tel: +31 850 642 777

### LGMG North America Inc.

Address: 1445 Sheffler Dr, Chambersburg, PA. 17201, USA

Email: sales@lmgmna.com Tel: +1 833 288 5464

www.lmgmlifts.com



RELIABILITY IN ACTION