

2 SIMPLE AND RELIABLE

LGMG's electric scissor lifts have established an excellent reputation in both domestic and international markets for their reliable performance. From indoor operations to challenging outdoor tasks, LGMG can provide the perfect solution for the requirements of your job.

With a constant drive to improve and innovate, LGMG continuously looks for ways to enhance the products, and make them more competitive in the market. The second generation of scissor lifts has been improved in numerous ways, such as performance and design, which makes them even more convenient to maintain and safer to operate.



Entire range designed for indoor and outdoor use

- The second-generation scissor lifts are all indoor-outdoor models, allowing two people to work on the platform indoors and one person outdoors, which is more aligned with customer requirements and improves efficiency on work sites.

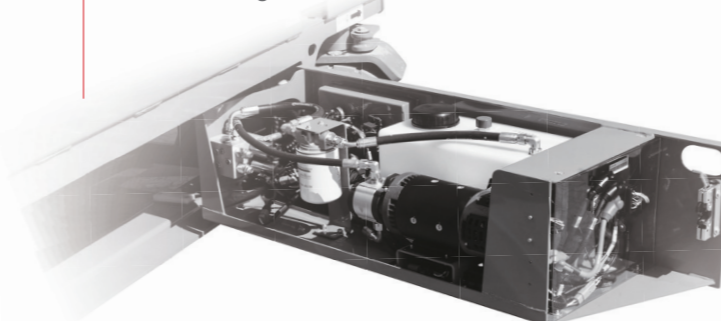
Large lower control panel

- The lower control panel utilizes a large display which makes troubleshooting easier and more convenient. Multi-level menu design, multi-language support, and Bluetooth modules are available as optional.



More convenient to maintain

- Optimized design of internal components for a more rational arrangement and easier maintenance.



Universal key components

- The key components of the second-generation models such as joysticks, drive motors, motor controllers, and chargers are highly interchangeable with existing models on the market, making it easy to replace them quickly and efficiently, to save costs for daily operation and maintenance.



Optional lithium battery for the entire product range

- The full range of second-generation scissor lifts is available with optional lithium batteries, 100% maintenance-free, fast-charging, long-life, and full-power.



ELECTRIC MOTOR DRIVE SCISSOR LIFT



MODELS	S0607EII (S1932EII)		S0608EII		S0808EII (S2632EII)		S0812EII (S2646EII)		S1012EII (S3246EII)		S1212EII (S4046EII)		S1413EII (S4650EII)			
	Metric	Imperial	Metric	Metric	Imperial	Metric	Imperial	Metric	Imperial	Metric	Imperial	Metric	Imperial	Metric	Imperial	
Measurements																
Work Height Max.	7.8m	25'7"	7.9m	9.8/8m (in/out)	32'2"/26'3" (in/out)	10m	32'10"	12m	39'4"	14/9.5m (in/out)	45'11"/31'2" (in/out)	15.8/10m (in/out)	51'10"/32'9" (in/out)	15.8/10m (in/out)	51'10"/32'9" (in/out)	
▲ Platform Height-Raised	5.8m	19'	5.9m	7.8/6m (in/out)	25'7"/19'8" (in/out)	8m	26'3"	10m	32'10"	12/7.5m (in/out)	39'4"/24'7" (in/out)	13.8/8m (in/out)	45'3"/26'3" (in/out)	13.8/8m (in/out)	45'3"/26'3" (in/out)	
● Platform Length	1.64m	5'5"	2.26m	2.26m	7'5"	2.26m	7'5"	2.26m	7'5"	2.26m	7'5"	2.26m	7'5"	2.64m	8'8"	
● Platform Width	0.73m	2'5"	0.79m	0.79m	2'7"	1.12m	3'8"	1.12m	3'8"	1.12m	3'8"	1.12m	3'8"	1.12m	3'8"	
● Overall Length	1.83m	6'	2.44m	2.44m	8'	2.49m	8'2"	2.49m	8'2"	2.49m	8'2"	2.49m	8'2"	2.8m	9'2"	
● Overall Width	0.79m	2'7"	0.83m	0.83m	2'9"	1.18m	3'10"	1.18m	3'10"	1.18m	3'10"	1.18m	3'10"	1.3m	4'3"	
● Overall Height-Guardrails Up	2.16m	7'1"	2.15m	2.28m	7'6"	2.36m	7'9"	2.49m	8'2"	2.63m	8'8"	2.63m	8'8"	2.74m	9'	
● Overall Height-Guardrails Down	1.81m	5'11"	1.79m	1.9m	6'3"	1.55m	5'1"	1.68m	5'6"	1.8m	5'11"	1.8m	5'11"	1.94m	6'4"	
● Extension Deck	0.9m	2'11"	0.9m	0.9m	2'11"	0.9m	2'11"	0.9m	2'11"	0.9m	2'11"	0.9m	2'11"	0.9m	2'11"	
● Wheelbase	1.35m	4'5"	1.85m	1.85m	6'1"	1.85m	6'1"	1.85m	6'1"	1.85m	6'1"	1.85m	6'1"	2.22m	7'3"	
Ground Clearance (Stowed/Raised)	78/26mm	3"/1"	100/20mm	100/20mm	4"/1"	100/20mm	4"/1"	100/20mm	4"/1"	100/20mm	4"/1"	100/20mm	4"/1"	105/20mm	4"/1"	
PRODUCTIVITY																
Max. Platform Occupants	2 (in) / 1(out)		2 (in) / 1(out)		2 (in) / 1(out)		2 (in) / 1(out)		2 (in) / 1(out)		2 (in) / 1(out)		2 (in) / 1(out)		2 (in) / 1(out)	
Platform Capacity	230kg	510 lbs	380kg	230kg	510 lbs	450kg	990 lbs	320kg	705 lbs	320kg	705 lbs	320kg	705 lbs	320kg	705 lbs	
Platform Capacity-Extension Deck	120kg	265 lbs	120kg	120kg	265 lbs	120kg	265 lbs	120kg	265 lbs	120kg	265 lbs	120kg	265 lbs	120kg	265 lbs	
Drive Height	Full Height															
Gradeability-Stowed	25%		25%		25%		25%		25%		25%		25%		25%	
Min. Turning Radius	1.8m	5'11"	2.2m	2.2m	7'3"	2.45m	8'	2.45m	8'	2.45m	8'	2.45m	8'	2.85m	9'4"	
Raise/Lower Speed	16 / 28s		30 / 34s		31 / 40s		35 / 40s		58 / 48s		65 / 60s		80 / 65s		80 / 65s	
Brakes	Front-wheel Brake															
Drive Mode	4x2		4x2		4x2		4x2		4x2		4x2		4x2		4x2	
Tire Type	Solid Non-marking															
Tire Size	323x100mm	12"x4"	380x130mm	380x130mm	15"x5"	380x130mm	15"x5"	380x130mm	15"x5"	380x130mm	15"x5"	380x130mm	15"x5"	380x130mm	15"x5"	
POWER																
Power Source	24V DC 225Ah		24V DC 225Ah		24V DC 240Ah		24V DC 240Ah		24V DC 240Ah		24V DC 300Ah		24V DC 300Ah		24V DC 300Ah	
HYDRAULIC SYSTEM																
Hydraulic Oil Capacity	5L	1.3gal	13L	13L	3.4gal	16L	4.2gal	23L	6.1gal	23L	6.1gal	23L	6.1gal	25.5L	6.7gal	
WEIGHT																
Machine Weight(CE/ANSI)	1610kg	3549 lbs	2040kg	2200kg	4850 lbs	2318kg	5110 lbs	2995kg	6603 lbs	2970kg	6548 lbs	3500kg	7716 lbs	3500kg	7716 lbs	



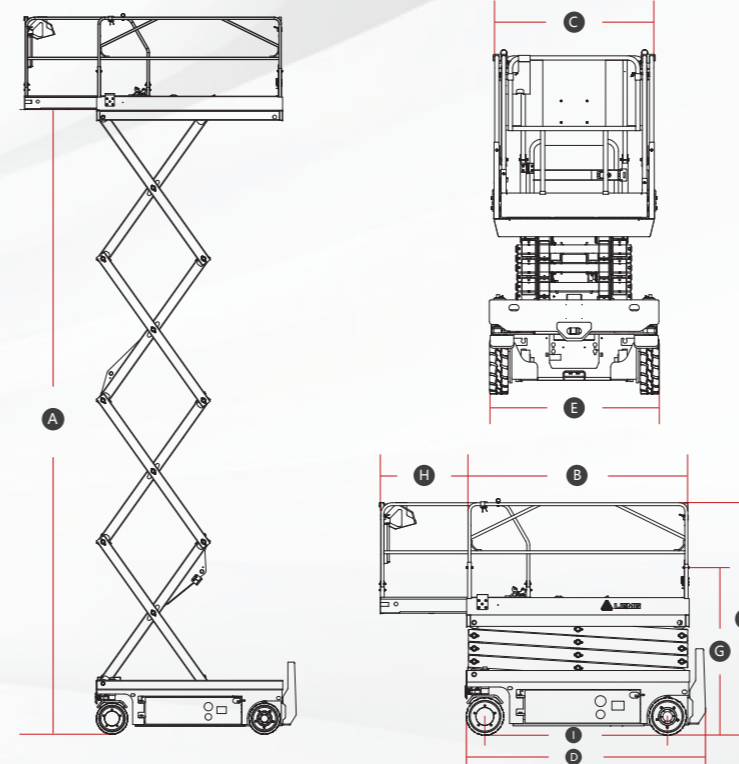
**HYDRAULIC MOTOR DRIVE
SCISSOR LIFT**



MODELS	S0607II (S1932II)		S0608II	S0808II (S2632II)		S0812II (S2646II)		S1012II (S3246II)		S1212II (S4046II)		S1413II (S4650II)		
	Metric	Imperial	Metric	Metric	Imperial	Metric	Imperial	Metric	Imperial	Metric	Imperial	Metric	Imperial	
Measurements														
Work Height Max.	7.8m	25'7"	7.9m	9.8/8m (in/out)	32'2"/26'3" (in/out)	10m	32'10"	12m	39'4"	14/9.5m (in/out)	45'11"/31'2" (in/out)	15.8/10m (in/out)	51'10"/32'9" (in/out)	
Platform Height-Raised	5.8m	19'	5.9m	7.8/6m (in/out)	25'7"/19'8" (in/out)	8m	26'3"	10m	32'10"	12/7.5m (in/out)	39'4"/24'7" (in/out)	13.8/8m (in/out)	45'3"/26'3" (in/out)	
Platform Length	1.64m	5'5"	2.26m	2.26m	7'5"	2.26m	7'5"	2.26m	7'5"	2.26m	7'5"	2.64m	8'8"	
Platform Width	0.73m	2'5"	0.79m	0.79m	2'7"	1.12m	3'8"	1.12m	3'8"	1.12m	3'8"	1.12m	3'8"	
Overall Length	1.83m	6'	2.44m	2.44m	8'	2.49m	8'2"	2.49m	8'2"	2.49m	8'2"	2.8m	9'2"	
Overall Width	0.79m	2'7"	0.83m	0.83m	2'9"	1.18m	3'10"	1.18m	3'10"	1.18m	3'10"	1.3m	4'3"	
Overall Height-Guardrails Up	2.16m	7'1"	2.15m	2.28m	7'6"	2.36m	7'9"	2.49m	8'2"	2.63m	8'8"	2.74m	9'	
Overall Height-Guardrails Down	1.81m	5'11"	1.79m	1.9m	6'3"	1.68m	5'6"	1.71m	5'7"	1.84m	6'	1.94m	6'4"	
Extension Deck	0.9m	2'11"	0.9m	0.9m	2'11"	0.9m	2'11"	0.9m	2'11"	0.9m	2'11"	0.9m	2'11"	
Wheelbase	1.35m	4'5"	1.85m	1.85m	6'1"	1.85m	6'1"	1.85m	6'1"	1.85m	6'1"	2.22m	7'3"	
Ground Clearance (Stowed/Raised)	78/26mm	3"/1"	100/20mm	100/20mm	4"/1"	100/20mm	4"/1"	100/20mm	4"/1"	100/20mm	4"/1"	105/20mm	4"/1"	
PRODUCTIVITY														
Max. Platform Occupants	2 (in) / 1(out)		2 (in) / 1(out)		2 (in) / 1(out)		2 (in) / 1(out)		2 (in) / 1(out)		2 (in) / 1(out)		2 (in) / 1(out)	
Platform Capacity	230kg	510 lbs	380kg	230kg	510 lbs	450kg	990 lbs	320kg	705 lbs	320kg	705 lbs	320kg	705 lbs	
Platform Capacity-Extension Deck	120kg	265 lbs	120kg	120kg	265 lbs	120kg	265 lbs	120kg	265 lbs	120kg	265 lbs	120kg	265 lbs	
Drive Height	Full Height													
Gradeability-Stowed	25%	25%	25%	25%	25%	25%	25%	25%	25%	25%	25%	25%	25%	
Min. Turning Radius	1.7m	5'7"	2.2m	2.2m	7'3"	2.45m	8'	2.45m	8'	2.45m	8'	2.85m	9'4"	
Raise/Lower Speed	16 / 28s	30 / 34s	31 / 40s	35 / 40s		58 / 48s		65 / 60s		80 / 65s				
Brakes	Rear-wheel Brake													
Drive Mode	4x2	4x2	4x2	4x2		4x2		4x2		4x2				
Tire Type	Solid Non-marking													
Tire Size	323x100mm	12"x4"	380x130mm	380x130mm	15"x5"	380x130mm	15"x5"	380x130mm	15"x5"	380x130mm	15"x5"	380x130mm	15"x5"	
POWER														
Power Source	24V 225Ah		24V 225Ah		24V 240Ah		24V 240Ah		24V 300Ah		24V 300Ah		24V 300Ah	
HYDRAULIC SYSTEM														
Hydraulic Oil Capacity	9.5L	2.1gal	13L	13L	3.4gal	16L	4.2gal	23L	6.1gal	23L	6.1gal	25.5L	6.7gal	
WEIGHT														
Machine Weight(CE/ANSI)	1610kg	3549 lbs	2040kg	2200kg	4850 lbs	2395kg	5280 lbs	2995kg	6603 lbs	2970kg	6548 lbs	3500kg	7716 lbs	

STANDARD FEATURES

- Indoor and outdoor rated
- Proportional control
- Foldable guardrail
- Emergency stop device
- Manual brake release
- Emergency descent
- Swing-out component tray
- Pothole guard
- Self-lock entry gate
- Tilt alarm with lift cut-out
- Overload sensing system
- Descent alarm with flashing beacon
- All motions alarm
- Full-height drive
- Intelligent diagnostic system



OPTIONAL

- AC power to platform
- Anti-collision protection
- Leak containment tray
- Maintenance-free battery
- Lithium battery
- Voice alarm system
- Telematics



Please contact LGMG or a local dealer for more details. LGMG reserves the right to change technical data without prior notice. All photos and pictures in this brochure are for promotional purposes only. This brochure comes into effect in February, 2023.

LINGONG HEAVY MACHINERY CO., LTD.

Address: No. 2676, Kejia Road, Jinan, Shandong, China
Email: sales@lmgm.com.cn Tel: +86 531 6787 9283

LGMG Europe B.V.

Address: Donker Duyvisweg 301, 3316 BL Dordrecht, The Netherlands
Email: sales@lmgmeurope.com Tel: +31 850 642 777

LGMG North America Inc.

Address: 1445 Sheffler Dr, Chambersburg, PA, 17201, USA
Email: sales@lmgmna.com Tel: +1 833 288 5464

www.lmgmglifts.com



RELIABILITY IN ACTION

**LGMG
GENERATION II
SCISSOR LIFT RANGE**



www.lmgmglifts.com